

## TripleAir HD 55-70-2 CEILING Grid (RSC)

### TripleAir 55mm Walk On Tee Grid System – GASKET

TripleAir 55mm T-Bar grid is a heavy-duty Cleanroom ceiling in a modular frame construction for non-pressurized plenum applications, consisting of main and cross runners, connected to precision die-cast joints to form a nodal system. The system incorporates a removable tee bar flange which increases the open aperture of the ceiling allowing fan filters and components to be offered up from below without tilting the components.



TripleAir 55mm T-bar extrusion profiles and joints have an identical geometry, allowing for a tight connection and preventing uncontrolled particle deposition during installation. Cruciform joints have penetrations suitable for cables, sprinklers or a closed insert. Tee joints and corners are available as casting without penetration.

The 55mm aluminium main and cross runners come with a sliding track at the cleanroom side, to allow for suspended installation of teardrop lights, aprons or partitions, with an MIO T bolt. If a flush design is required, the sliding track will be closed with a 5mm closing profile. Connection of suspension hangers can take place at any point in the extrusion, utilizing half round drop-in nut. All ceiling filter elements, such as filters and lay-in lights, shall be installed from the deck of the ceiling grid, minimizing interruptions in the Cleanroom. Gaskets between ceiling grid and filters, blanks and other inserts are provided for with a one-side adhesive gasket.

## Clean Room Filtration and Lighting Technology

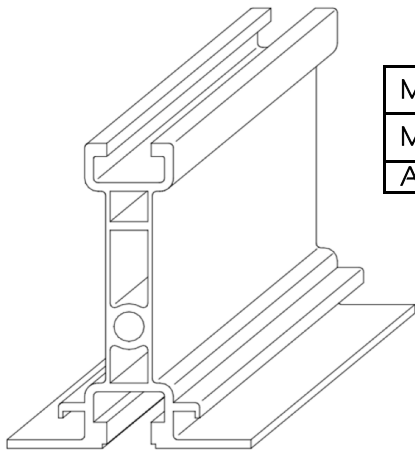
TripleAir Technology are suppliers of high quality HEPA and UHPA filtration, ceiling grid systems and luminaires for the clean room industry. We offer fully integrated ceiling solutions for projects and cleanroom facilities.

T +44(0)1670 739394  
E [info@tripleairtechnology.co.uk](mailto:info@tripleairtechnology.co.uk)

# TripleAir HD 55-70-2 CEILING Grid (RSC)

The TripleAir HD55-70 –2 Grid is suitable for the installation of the following products:-

- TripleAir Fan Filter Units.
- HEPA/ULPA filters & Triplehood Filter Modules
- Blank panels & acoustic panels
- Integrated recessed luminaires
- Teardrop luminaires.
- Sprinkler heads (in the die-cast cross joints)
- Electrical conduit and media piping (in the die-cast cross joints)
- Air deflection Curtains
- Cleanroom partitions



### Profile Properties

Moment of Inertia X-X	$I=257,200\text{mm}^4$
Moment of Inertia Y-Y	$I=53,580\text{mm}^4$
Area	$480.8\text{mm}^2$

### EPDM Gasket (DEW1425) Specification:-

Properties	Average Values
ASTM D1056 (2000)	2A2C
Density	140kg/m <sup>3</sup>
Compression Deflection 25% (35-63)	40 kPa
Compression Deflection 50% (80-160)	100 kPa
Shore Hardness "00" scale	35-40
Elongation – minimum	>200%
Temperature range (Constant)	-40degC / +80degC
Temperature range (Intermittent)	+100degC
Water Absorption	< 5% Vol
Tensile Strength	> 600kPa
Flame Resistance	FMVSS302 Self Extinguishing
Environmental Protection	CFC & HCFC free

### STANDARD FEATURES:-

- Anodised or painted finish
- Die Cast Joints
- 600x1200mm centres
- Own weight appx 15kg/m<sup>2</sup>
- Point load 120kgs (1.2kN)
- Maximum uniform load 200kgs/m<sup>2</sup> with 3mm deflection
- 1200x800mm hanger centrelines
- M10 hanger (turnbuckle down)
- 37mm perimeter angle trim
- Fixing accessories
- EPDM gasket (white)
- Overall ceiling element = grid dimension minus 30mm (max)

### OPTIONS:-

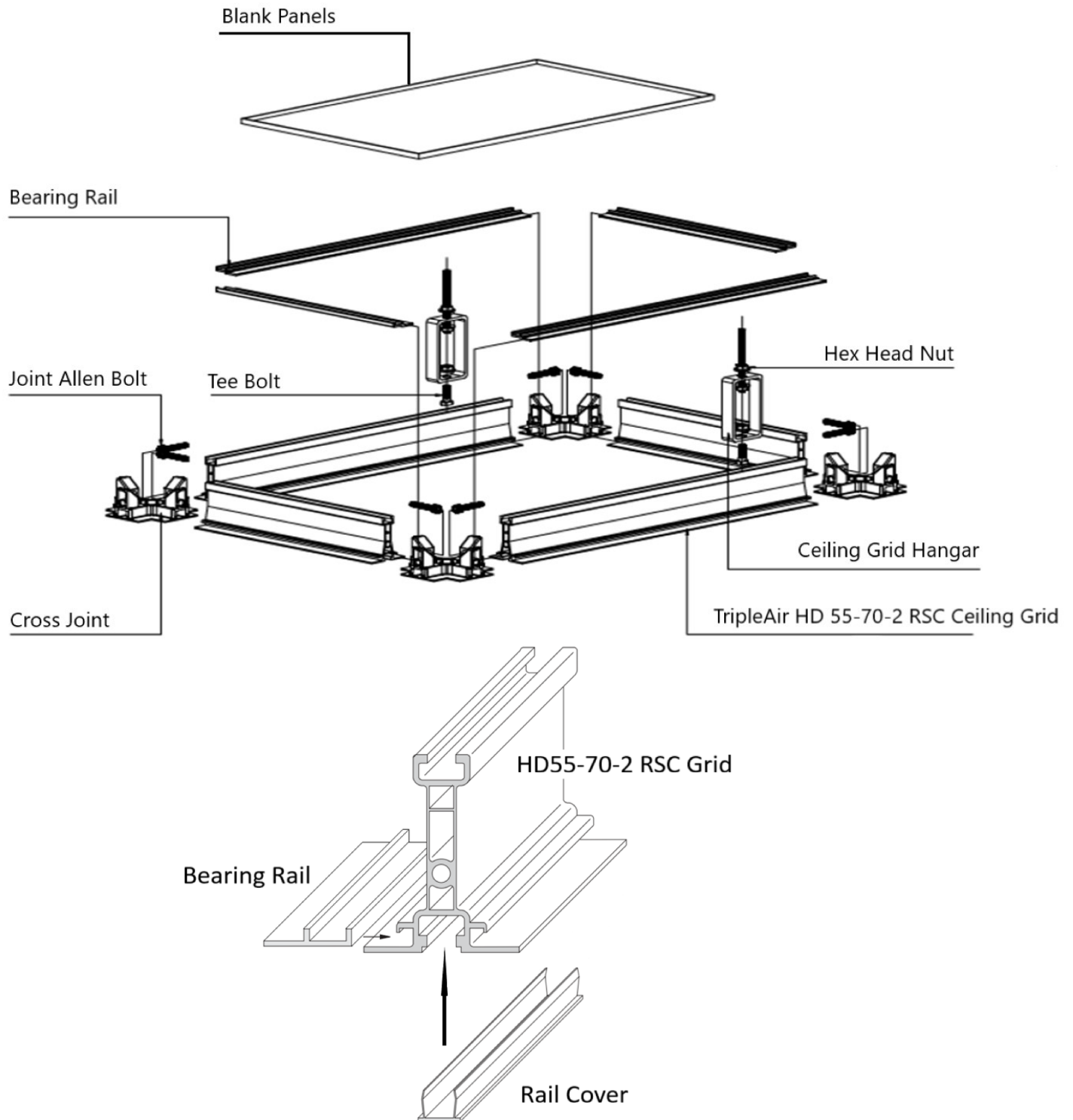
- RAL9010G epoxy powder coating
- Alternative paint colours
- 1200x1200mm & 600x600mm centres
- Threaded bar
- Blank pans
- Perforated pans
- Honeycomb panels
- Tread plates for walk-on locations
- Hold down clamps for pans
- Diffusers
- Compatible Recessed Luminaires
- Teardrop luminaires
- Air deflection curtains
- Gel seal – see relevant spec sheet

## Clean Room Filtration and Lighting Technology

Visit our website to view our full range of HEPA and ULPA filters, safe change units, fan filter units, ceiling grid systems and cleanroom luminaires.

# TripleAir HD 55-70-2 CEILING Grid (RSC)

## Ceiling Assembly



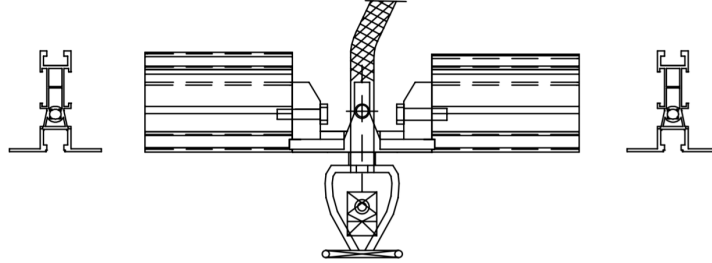
## Clean Room Filtration and Lighting Technology

Visit our website to view our full range of HEPA and ULPA filters, safe change units, fan filter units, ceiling grid systems and cleanroom luminaires.

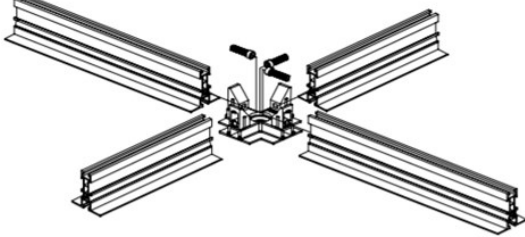
# TripleAir HD 55-70-2 CEILING Grid (RSC)

## Ceiling Assembly

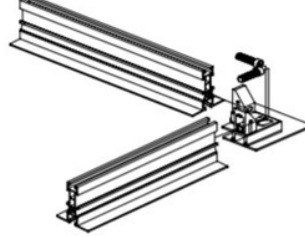
### Sprinkler fitted to Cross Joint



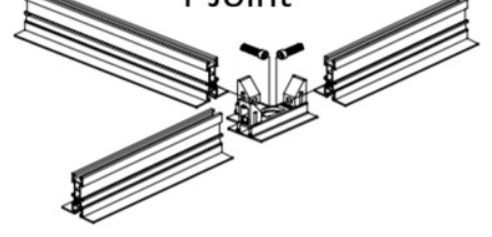
### Cross Joint



### L Joint



### T Joint



The HD Grid can accommodate fixings and hangers—room side. By simply removing the central cover to reveal a sliding track to which hangers and fixings can be fitted to support other services within the room.



## Related Products

### Fan Filter Units



### Hood Filters



### Teardrop Luminaires



### Recessed Luminaires



TripleAir Technology Ltd  
 (Sales, Engineering & Manufacture)  
 41A Colbourne Crescent,  
 Nelson Park Industrial Estate,  
 Cramlington, England,  
 NE23 1WB.

T +44(0)1670 739394  
 E [info@tripleairtechnology.co.uk](mailto:info@tripleairtechnology.co.uk)

Document TAT 008-3

